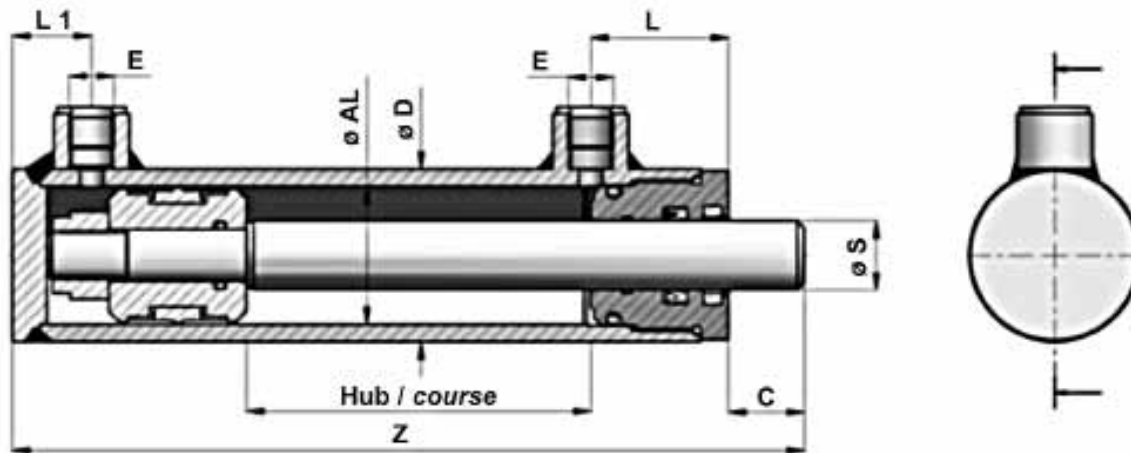


Hydraulik-Standardzylinder HK-DH ohne Befestigung HV, doppelt wirkend

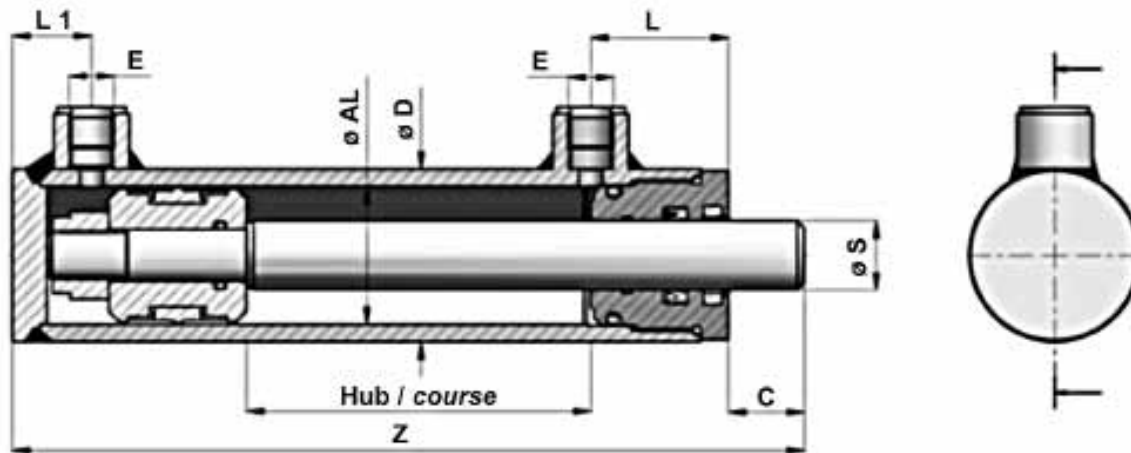
Vérin standard HK-DH sans fixation HV, double effet



Ø D	Ø AL	Ø S	Hub course	Art-Code	Bestell-Nr. no de cde	Z	C	E	L	L1	Gewicht poids kg
mm	mm	mm	mm			mm	mm		mm	mm	
50	40	20	150	260322	HKDH40X20X150HV	280	22	1/4"	40	23	2.67
50	40	20	200	260323	HKDH40X20X200HV	330	22	1/4"	40	23	3.05
50	40	20	250	260324	HKDH40X20X250HV	380	22	1/4"	40	23	3.45
50	40	20	300	260325	HKDH40X20X300HV	430	22	1/4"	40	23	3.85
50	40	20	350	260326	HKDH40X20X350HV	480	22	1/4"	40	23	4.27
50	40	20	400	260327	HKDH40X20X400HV	530	22	1/4"	40	23	4.65
50	40	25	150	260328	HKDH40X25X150HV	280	22	1/4"	40	23	2.95
50	40	25	200	260329	HKDH40X25X200HV	330	22	1/4"	40	23	3.39
50	40	25	250	260330	HKDH40X25X250HV	380	22	1/4"	40	23	3.85
50	40	25	300	260331	HKDH40X25X300HV	430	22	1/4"	40	23	4.32
50	40	25	350	260332	HKDH40X25X350HV	480	22	1/4"	40	23	4.79
50	40	25	400	260333	HKDH40X25X400HV	530	22	1/4"	40	23	5.26
50	40	25	500	260334	HKDH40X25X500HV	630	22	1/4"	40	23	6.20
50	40	25	550	260335	HKDH40X25X550HV	680	22	1/4"	40	23	6.60
50	40	25	600	260336	HKDH40X25X600HV	730	22	1/4"	40	23	7.13

Hydraulik-Standardzylinder HK-DH ohne Befestigung HV, doppelt wirkend

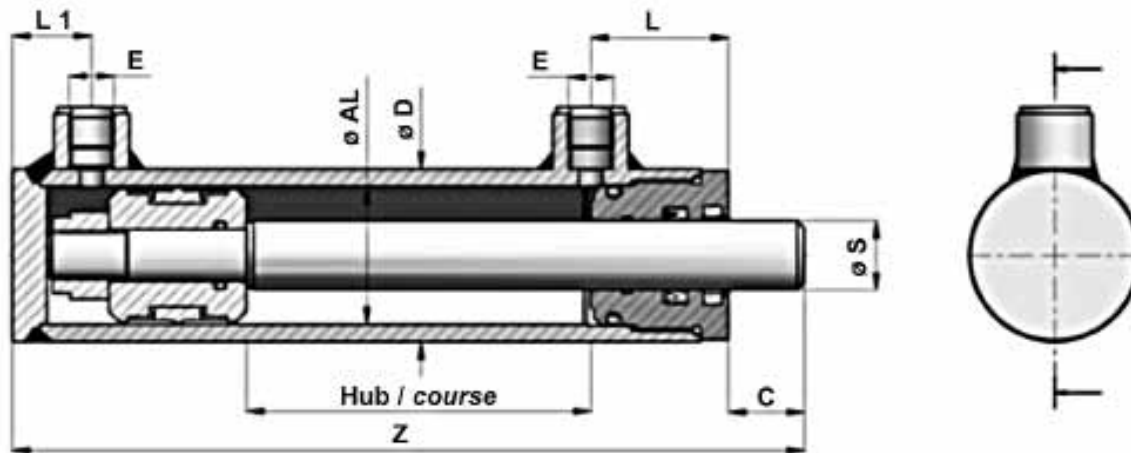
Vérin standard HK-DH sans fixation HV, double effet



Ø D	Ø AL	Ø S	Hub course	Art-Code	Bestell-Nr. no de cde	Z	C	E	L	L1	Gewicht poids kg
mm	mm	mm	mm			mm	mm		mm	mm	
60	50	25	100	260337	HKDH50X25X100HV	240	22	3/8"	43	26	3.29
60	50	25	150	260338	HKDH50X25X150HV	290	22	3/8"	43	26	3.83
60	50	25	200	260339	HKDH50X25X200HV	340	22	3/8"	43	26	4.34
60	50	25	250	260340	HKDH50X25X250HV	390	22	3/8"	43	26	4.85
60	50	25	300	260341	HKDH50X25X300HV	440	22	3/8"	43	26	5.35
60	50	25	350	260342	HKDH50X25X350HV	490	22	3/8"	43	26	5.94
60	50	25	400	260343	HKDH50X25X400HV	540	22	3/8"	43	26	6.40
60	50	25	500	260344	HKDH50X25X500HV	640	22	3/8"	43	26	7.43
60	50	25	800	260345	HKDH50X25X800HV	940	22	3/8"	43	26	10.71
60	50	30	150	260346	HKDH50X30X150HV	290	22	3/8"	43	26	4.11
60	50	30	200	260347	HKDH50X30X200HV	340	22	3/8"	43	26	4.74
60	50	30	250	260348	HKDH50X30X250HV	390	22	3/8"	43	26	5.35
60	50	30	300	260349	HKDH50X30X300HV	440	22	3/8"	43	26	5.97
60	50	30	350	260350	HKDH50X30X350HV	490	22	3/8"	43	26	6.55
60	50	30	400	260351	HKDH50X30X400HV	540	22	3/8"	43	26	7.20
60	50	30	500	260352	HKDH50X30X500HV	640	22	3/8"	43	26	8.42
60	50	30	600	260353	HKDH50X30X600HV	740	22	3/8"	43	26	9.64
60	50	30	800	260354	HKDH50X30X800HV	940	22	3/8"	43	26	12.10
60	50	30	1000	260355	HKDH50X30X1000HV	1140	22	3/8"	43	26	14.57

Hydraulik-Standardzylinder HK-DH ohne Befestigung HV, doppelt wirkend

Vérin standard HK-DH sans fixation HV, double effet

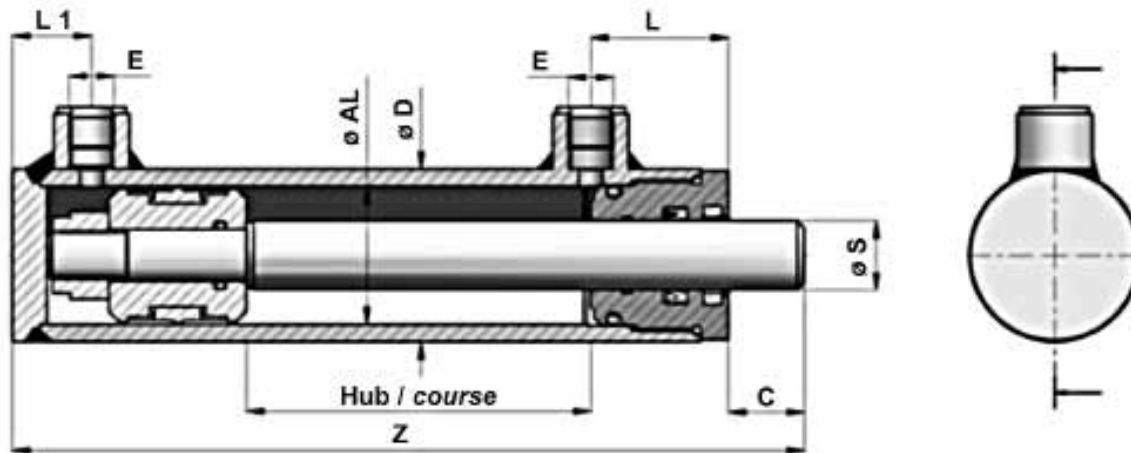


4

Ø D	Ø AL	Ø S	Hub course	Art-Code	Bestell-Nr. no de cde	Z	C	E	L	L1	Gewicht poids kg
mm	mm	mm	mm			mm	mm		mm	mm	
70	60	30	100	260356	HKDH60X30X100HV	260	23	3/8"	50	30	5.55
70	60	30	150	260357	HKDH60X30X150HV	310	23	3/8"	50	30	6.20
70	60	30	200	260358	HKDH60X30X200HV	360	23	3/8"	50	30	4.82
70	60	30	250	260359	HKDH60X30X250HV	410	23	3/8"	50	30	6.87
70	60	30	300	260360	HKDH60X30X300HV	460	23	3/8"	50	30	7.55
70	60	30	400	260361	HKDH60X30X400HV	560	23	3/8"	50	30	8.90
70	60	35	100	260362	HKDH60X35X100HV	260	23	3/8"	50	30	5.07
70	60	35	150	260363	HKDH60X35X150HV	310	23	3/8"	50	30	5.85
70	60	35	200	260364	HKDH60X35X200HV	360	23	3/8"	50	30	6.60
70	60	35	250	260365	HKDH60X35X250HV	410	23	3/8"	50	30	7.40
70	60	35	300	260366	HKDH60X35X300HV	460	23	3/8"	50	30	8.15
70	60	35	350	260367	HKDH60X35X350HV	510	23	3/8"	50	30	8.94
70	60	35	400	260368	HKDH60X35X400HV	560	23	3/8"	50	30	9.72
70	60	35	500	260369	HKDH60X35X500HV	660	23	3/8"	50	30	11.25
70	60	35	600	260370	HKDH60X35X600HV	760	23	3/8"	50	30	14.30
70	60	40	600	260371	HKDH60X40X600HV	960	23	3/8"	50	30	17.82
70	60	40	1000	260372	HKDH60X40X1000HV	1160	23	3/8"	50	30	21.40

Hydraulik-Standardzylinder HK-DH ohne Befestigung HV, doppelt wirkend

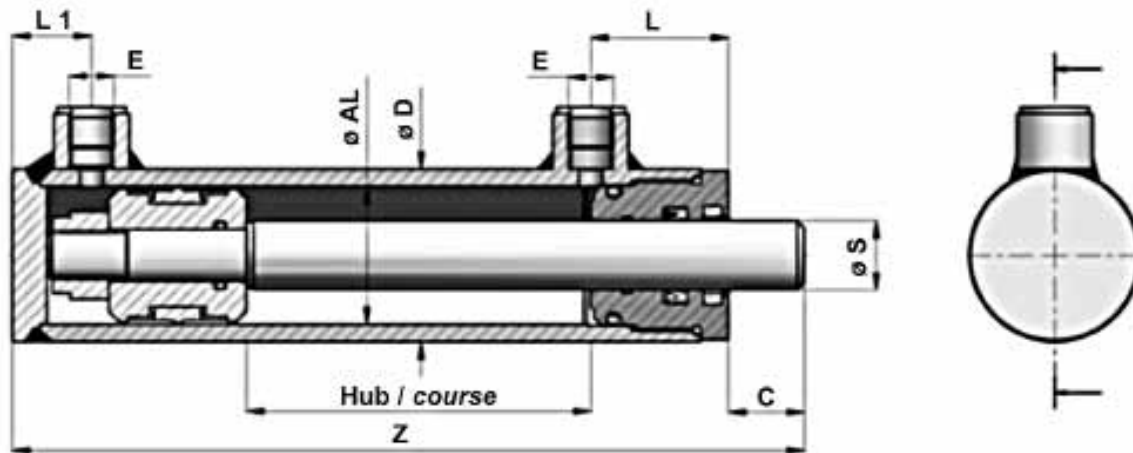
Vérin standard HK-DH sans fixation HV, double effet



Ø D	Ø AL	Ø S	Hub course	Art-Code	Bestell-Nr. no de cde	Z	C	E	L	L1	Gewicht poids kg
mm	mm	mm	mm			mm	mm		mm	mm	
80	70	35	100	260373	HKDH70X35X100HV	260	23	3/8"	50	33	6.09
80	70	35	150	260374	HKDH70X35X150HV	310	23	3/8"	50	33	6.95
80	70	35	200	260375	HKDH70X35X200HV	360	23	3/8"	50	33	7.74
80	70	35	300	260376	HKDH70X35X300HV	460	23	3/8"	50	33	9.40
80	70	35	400	260377	HKDH70X35X400HV	560	23	3/8"	50	33	11.00
80	70	40	300	260378	HKDH70X40X300HV	460	23	3/8"	50	33	10.26
80	70	40	400	260379	HKDH70X40X400HV	560	23	3/8"	50	33	12.80
80	70	40	500	260380	HKDH70X40X500HV	660	23	3/8"	50	33	14.01
80	70	40	600	260381	HKDH70X40X600HV	760	23	3/8"	50	33	15.99
80	70	40	800	260382	HKDH70X40X800HV	960	23	3/8"	50	33	19.73
80	70	40	1000	260383	HKDH70X40X1000HV	1160	23	3/8"	50	33	23.81
92	80	40	200	260384	HKDH80X40X200HV	380	25	1/2"	60	35	11.08
92	80	40	300	260385	HKDH80X40X300HV	480	25	1/2"	60	35	13.35
92	80	50	400	260386	HKDH80X50X400HV	580	25	1/2"	60	35	17.95
92	80	50	500	260387	HKDH80X50X500HV	680	25	1/2"	60	35	20.71
92	80	50	600	260388	HKDH80X50X600HV	780	25	1/2"	60	35	24.00
92	80	50	800	260389	HKDH80X50X800HV	980	25	1/2"	60	35	29.50
92	80	50	1000	260390	HKDH80X50X1000HV	1180	25	1/2"	60	35	35.00

Hydraulik-Standardzylinder HK-DH ohne Befestigung HV, doppelt wirkend

Vérin standard HK-DH sans fixation HV, double effet



4

Ø D	Ø AL	Ø S	Hub course	Art-Code	Bestell-Nr. no de cde	Z	C	E	L	L1	Gewicht poids kg
mm	mm	mm	mm			mm	mm		mm	mm	
115	100	50	200	260391	HKDH100X50X200HV	410	25	1/2"	82	38	19.50
115	100	50	300	260392	HKDH100X50X300HV	510	25	1/2"	82	38	23.00
115	100	50	400	260393	HKDH100X50X400HV	610	25	1/2"	82	38	26.50
115	100	50	500	260394	HKDH100X50X500HV	710	25	1/2"	82	38	30.00
115	100	50	600	260395	HKDH100X50X600HV	810	25	1/2"	82	38	33.50
115	100	60	400	260396	HKDH100X60X400HV	610	25	1/2"	82	38	29.50
115	100	60	500	260397	HKDH100X60X500HV	710	25	1/2"	82	38	33.50
115	100	60	600	260398	HKDH100X60X600HV	810	25	1/2"	82	38	37.50
115	100	60	800	260399	HKDH100X60X800HV	1010	25	1/2"	82	38	46.00
115	100	60	1000	260400	HKDH100X60X1000HV	1210	25	1/2"	82	38	54.50

Max. Betriebsdruck kontinuierlich 160 bar
Pression de service continuuel 160 bar

Max. Betriebsdruck kurzzeitig 250 bar
Pression de service un peu de temps 250 bar

Temperatur -25°C ... +80°C
Température -25°C ... +80°C

Copyright by **Heizmann**

Neumattstrasse 8, CH-5000 Aarau, Tel. +41 (0)62 834 06 11, Fax +41 (0)62 834 06 98

Kat 120.4.1.5

4.1.5



Dichtsätze zu Hydraulikzylinder HV

Jeux de joints pour vérin standard HV



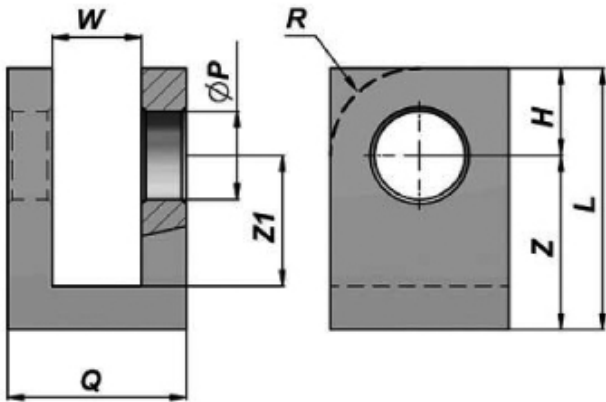
4



Ø Kolben Ø piston mm	Ø Stange Ø tige mm	Art-Code	Bestell-Nr. no de cde	Gewicht poids kg
40	20	260401	HKDSGKG0040020HV	0.150
40	25	260402	HKDSGKG0040025HV	0.150
50	25	260403	HKDSGKG0050025HV	0.150
50	30	260404	HKDSGKG0050030HV	0.150
60	30	260405	HKDSGKG0060030HV	0.150
60	35	260406	HKDSGKG0060035HV	0.150
60	40	260407	HKDSGKG0060040HV	0.200
70	35	260408	HKDSGKG0070035HV	0.200
70	40	260409	HKDSGKG0070040HV	0.200
80	50	260410	HKDSGKG0080050HV	0.200
100	50	260411	HKDSGKG0100050HV	0.200
100	60	260412	HKDSGKG0100060HV	0.200

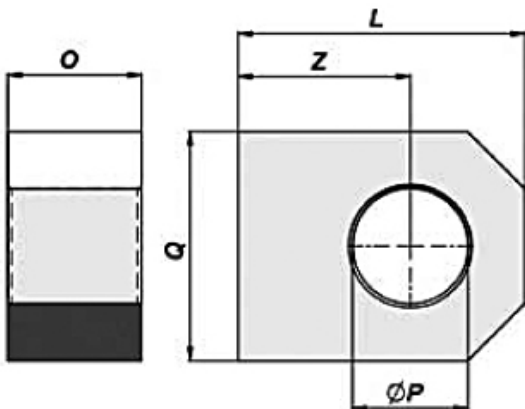
Zubehör zu Hydraulikzylinder *Accessoires pour vérin standard*

Gabel gefräst mit Bohrung *Appui fraisé avec perçage*



Art-Code	Bestell-Nr. no de cde	Ø P	L	Z	Z1	H	□Q	W	R	Gewicht poids kg
		mm	mm	mm	mm	mm	mm	mm	mm	
260413	HKCFS0000016HV	16,20	50	34	24	16	35	16	0	0.270
260414	HKCFS0000020HV	20,25	60	40	30	20	40	20	0	0.380
260415	HKCFS0000025HV	25,25	70	45	30	25	50	25	0	0.710
260416	HKCFS0000030HV	30,25	80	50	35	30	60	30	30	1.100
260417	HKCFS0000035HV	35,25	90	55	40	35	70	35	35	1.600

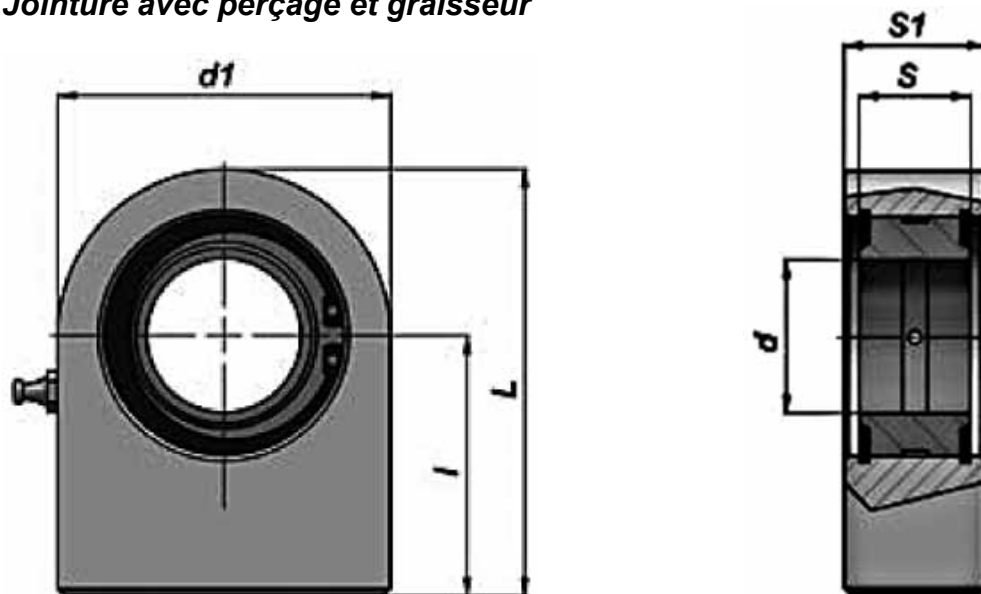
Festauge gefräst mit Bohrung *Oeil constant fraisé avec perçage*



Art-Code	Bestell-Nr. no de cde	Ø P	O	Q	L	Z	Gewicht poids kg
		mm	mm	mm	mm	mm	
260418	HKCOF1600000HV	16,20	20	35	42	25	0.180
260419	HKCOF2000000HV	20,25	25	45	50	30	0.350
260420	HKCOF2500000HV	25,25	30	50	60	35	0.560
260421	HKCOF3000000HV	30,25	35	60	75	45	0.970
260422	HKCOF3500000HV	35,25	40	70	90	55	1.600

Zubehör zu Hydraulikzylinder *Accessoires pour vérin standard*

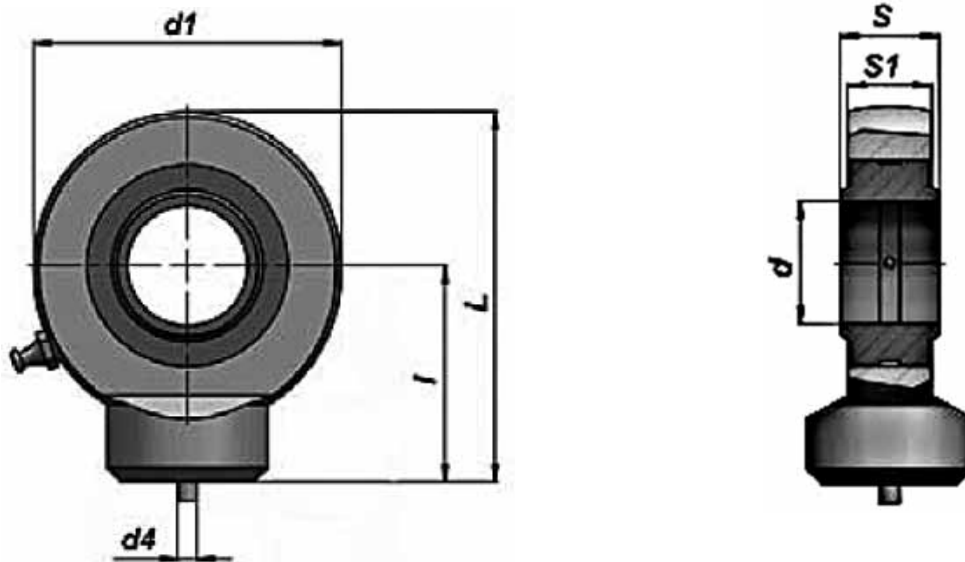
Gelenkkopf mit Bohrung und Schmiernippel *Jointure avec perçage et graisseur*



Art-Code	Bestell-Nr. no de cde	d	S	l	d 1	S 1	L	FC	Gewicht poids kg
		mm	mm	mm	mm	mm	mm	t	
260423	HKCSTS016N00HV	16	14	35	48	17,5	59,0	2,12	0.290
260424	HKCSTS020N00HV	20	16	38	50	19	63	3,00	0.350
260425	HKCSTS025N00HV	25	20	45	55	23	72,5	4,80	0.530
260426	HKCSTS030N00HV	30	22	51	65	28	83,5	6,20	0.850
260427	HKCSTS035N00HV	35	25	61	83	30	102,5	8,00	1.500
260428	HKCSTS040N00HV	40	28	69	100	35	119	10,00	2.480
260429	HKCSTS045N00HV	45	32	77	110	40	132	12,70	3.450
260430	HKCSTS050N00HV	50	35	88	123	40	149,5	15,60	4.450
260431	HKCSTS060N00HV	60	44	100	140	50	170	24,50	7.100

Zubehör zu Hydraulikzylinder Accessoires pour vérin standard

Gelenkkopf mit Bohrung und Schmiernippel Jointure avec perçage et graisseur



Art-Code	Bestell-Nr. no de cde	d	S	l	d 1	d 4	S 1	L	FC	Gewicht poids kg
		mm	mm	mm	mm	mm	mm	mm	t	
260432	HKCSTS016C00HV	16	14	35	46	4	11	58	1,70	0.170
260433	HKCSTS020C00HV	20	16	38	53	4	13	64,5	3,00	0.250
260434	HKCSTS025C00HV	25	20	45	64	4	17	77	4,80	0.450
260435	HKCSTS030C00HV	30	22	51	73	4	19	87,5	6,20	0.670
260436	HKCSTS035C00HV	35	25	61	82	4	21	102	8,00	1.020
260437	HKCSTS040C00HV	40	28	69	92	4	23	115	10,00	1.400
260438	HKCSTS045C00HV	45	32	77	102	6	27	128	12,70	1.930
260439	HKCSTS050C00HV	50	35	88	112	6	30	144	15,60	2.690
260440	HKCSTS060C00HV	60	44	100	135	6	38	167,5	24,50	4.600